

# Duct air temperature sensor ET731



## Features

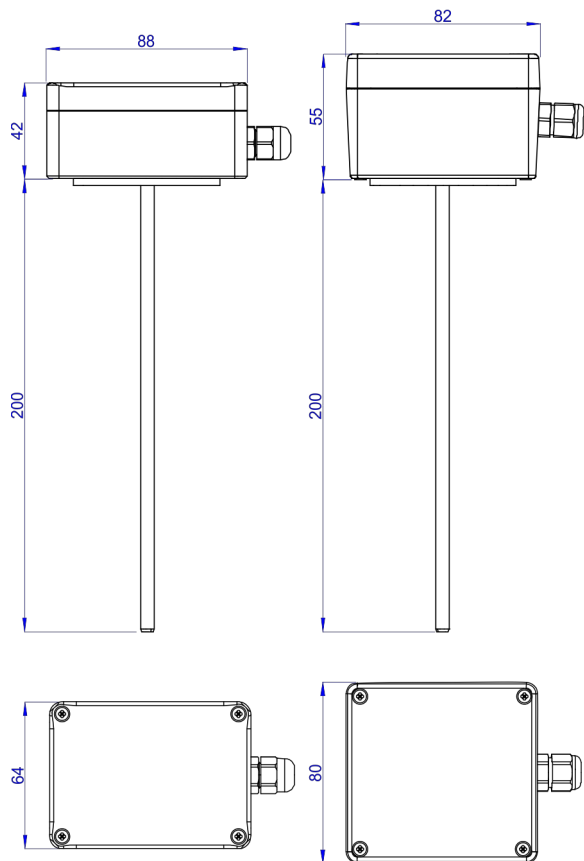
- For temperatures from -40 to +85 °C
- Pt100, Pt500, Pt1000, PTC1000 or NTC sensor
- Grey plastic terminal box, external sensor
- 4-20 mA or RS-485 Modbus RTU

## Specifications

Sensing element	Pt100 class A to EN60751 as standard optionally Pt500, Pt1000, PTC1000, NTC10 or other thermistors
Measurement range	-40...+85 °C
Cable connections	screw terminal block, 2- or 3-wire sensor connection
Operating environment	dry and damp rooms, outdoor spaces
Operating conditions	-40...+85 °C, 0...100 %RH
Duct mount enclosure	S: light grey PS, protection class IP65 M: grey ABS, protection class IP65
Dimensions	S: H88 × W64 × D42mm M: H82 × W80 × D55 mm
Sensor stem	Ø6×L200 mm as standard, length L = 100...500 mm by request
Analog output options	-C: plain terminal block -I: transmitter 4-20 mA =T1-T2 °C (for enclosure -M only)
Digital interface option	-485: digital interface, RS485, Modbus RTU protocol (for enclosure -M only)

ET731S

ET731M



## Ordering code

ET731[1]-[2]-[3], [L=...]

- 1 - S: small enclosure, M: medium enclosure
- 2 - specify sensing element type, e.g. Pt100, Pt1000, NTC10K ...
- 3 - specify output option I / 485
- L = ... - specify custom stem length

