

# Push-in thermocouple sensor assemblies ET621

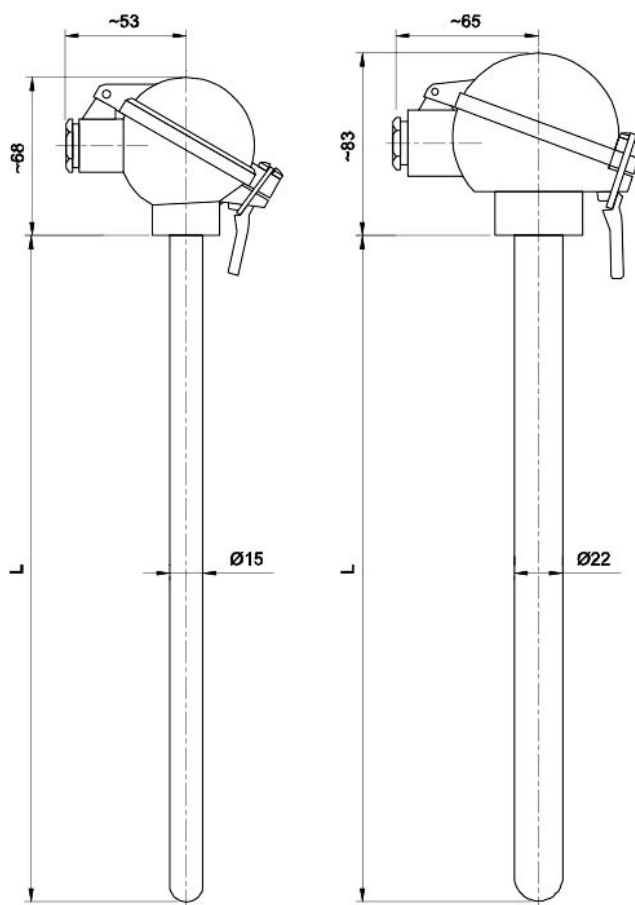


## Features

- Thermocouple type K
- Steel protection tube  $\varnothing 15$  or  $\varnothing 22$  mm
- Insertion length up to 1400 mm
- Spherical terminal head with hinged cover
- In-head 4-20 mA transmitter option

## Specifications

Thermocouple	Type K, Class 1, mineral insulated, 0...+1150 °C, peak +1250 °C, Inconel 600 insert $\varnothing 4,5$ mm
Protection tube options	7: AISI446 / EN1.4762 steel, <1200 °C High resistance to sulphurous gases, poor resistance to nitrogenous gases 8: AISI310 / EN1.4841 steel, <1200 °C High resistance to nitrogenous and low-oxygen gases, poor resistance to sulphurous gases $\varnothing 15 \times 2$ mm or $\varnothing 22 \times 2$ mm, length L
Terminal head	spherical with hinged cover, aluminium alloy, protection IP54 small SUZ (for holding tube $\varnothing 15$ mm) large BUZ (for holding tube $\varnothing 22$ mm)
Terminal block option	-CS: ceramic, screw connections
Transmitter option	-A-T1-T2: 4-20 mA, range T1-T2 °C
Accessories	
MB1-15/-22	adjustable screw fitting for holding tube $\varnothing 15/22$ mm, weld type, <300 °C
MB2-15/-22	adjustable screw fitting for holding tube $\varnothing 15/22$ mm, flange type, <300 °C
FS12T-15	compression fitting for tube $\varnothing 15$ mm, stainless steel, G1/2" outer thread
FS11T-15/-22	compression fitting for tube $\varnothing 15/22$ mm, Zinc plated steel, G1" outer thread
Ordering examples	ET621-8D15L500-CS ET621-7D22L750-A-0-1200 MB2-22



Standard insertion lengths L = 250 / 500 / 750 / 1000 / 1400 mm