



# Flameproof Combustible Gases Detector-Transmitter E2670-LEL



## Features

- Aluminium pressure die-casting enclosure
- Suitable for ATEX Zones 2 and 22
- Two analog outputs settable to 4-20 mA or 0-10 V
- RS485 Modbus RTU digital interface
- Relay option

## Specifications

Detected gases	Hydrogen, methane, acetylene, propane, butane, hexane, octane	
Default calibration	Methane CH <sub>4</sub>	
Sensor type	Metal-oxide semiconductor Pellistor (catalytic bead) on demand	
Sampling method	Diffusion	
Sensor	MOS	Pellistor
Typical detection range	0...100% LEL	0...100% LEL
Resolution	0.1% LEL	1% LEL
Response time T90	ca. 60 s	≤10 s
Sensor lifetime	> 5 years	> 3 years
Calibration interval	12 months	6 months
Operating temperature	-40...+70 °C	-10...+50 °C
Signal update	Every 1 second	
Self-diagnostics	Full functionality check at start-up	
Warm-up time	≤ 1 min	
Power supply	12...36 VDC (default), 24 VAC or 230 VAC as options	
Power consumption	< 2 VA	
Digital interface	RS485, Modbus RTU protocol	
Analog outputs	2 × 4-20 mA / 0-10 V, user settable	
Output scale width	Recommended: 20-100% of the range; > 10 × resolution in any case	
Enclosure	Grey die-cast aluminium, wall-mount, protection class IP65	
Dimensions	H155 × W145 × D110 mm	
Operating environment	Industrial indoor and outdoor locations	
Operating conditions	(operating temperature is specified above) ≤ 95% RH non condensing; 0.9...1,1 atm Explosion-safe areas; Normal ambient oxygen level; Avoid exposure to corrosive gases or silicone containing products.	

### Relay option (ordering code R)

Output relays	2 × SPST relays (closing contact), 250 VAC / 30 VDC, 5 A max
Default alarm setpoints	LOW: set 20 %LEL, release 16% LEL; HIGH:set 50%LEL, release 40% LEL

## Approvals

### Enclosure:

ATEX / IECEx  
 FTZU 03 ATEX 0207U  
 IECEx FTZU 12.0017U

II 2 G Ex db IIC Gb  
 II 2 D Ex tb IIIC Db

### Glands:

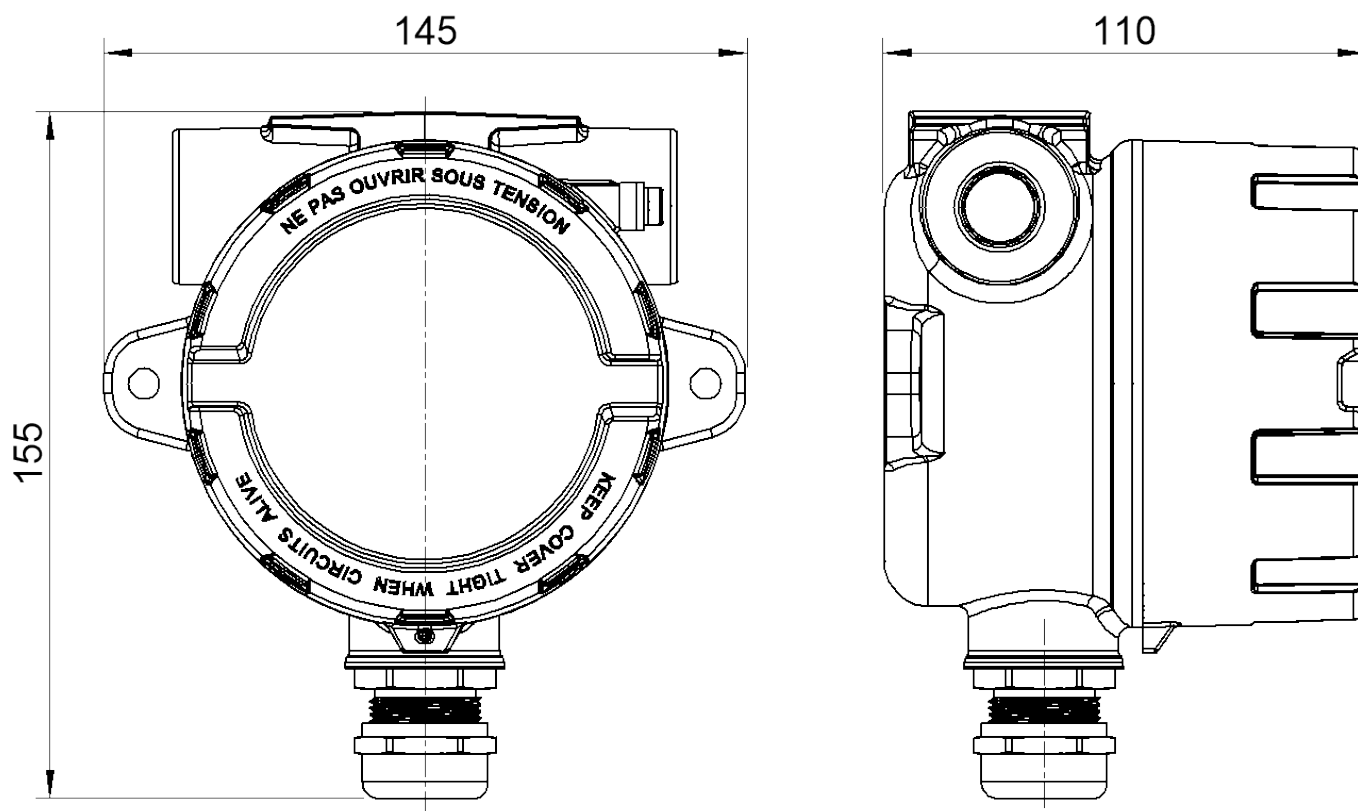
ATEX / IECEx  
 EESF 19 ATEX 023X  
 II 2 G Ex db IIC Gb  
 II 2 D Ex tb IIIC Db IP66

### CE conformity

Flameproof to IEC EN 60079-0, EN 60079-1,  
 EN 60079-31  
 EMC Emissions to EN 61000-6-3, EN 61326-1  
 EMC Immunity to EN 61000-6-1, EN 61000-6-2



### Dimensions



### Mounting holes

