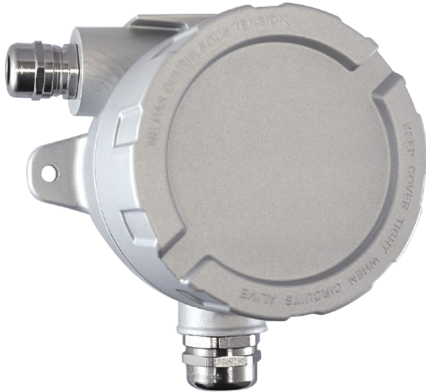




Flameproof Halocarbon Refrigerants Detector-Transmitter E2670-HFC



Features

- Aluminium pressure die-casting enclosure
- Suitable for ATEX Zones 2 and 22
- Two analog outputs settable to 4-20 mA or 0-10 V
- RS485 Modbus RTU digital interface
- Relay option

Specifications

Calibration	R-12, R-123, R-125, R-134a, R-143, R-22, R-404a, R-407c, R-410a, R-507, R-514a, R-1234ze etc
Sensor type	Metal-oxide semiconductor
Sampling method	Diffusion
Typical detection ranges	0...1000 ppm 0...2500 ppm
Resolution	1 ppm
Response time T90	<120 s
Sensor lifetime	> 5 years
Calibration interval	12 months
Signal update	Every 1 second
Self-diagnostics	Full functionality check at start-up
Warm-up time	≤ 1 min
Power supply	12...36 VDC (default), 24 VAC or 230 VAC as options
Power consumption	< 2 VA
Digital interface	RS485, Modbus RTU protocol
Analog outputs	2 × 4-20 mA / 0-10 V, user settable
Output scale width	Recommended: 20-100% of the range; > 10 × resolution in any case
Enclosure	Grey die-cast aluminium, wall-mount, protection class IP65
Dimensions	H155 × W145 × D110 mm
Operating environment	Industrial indoor and outdoor locations
Operating conditions	-30...+60 °C <95% RH non condensing; 0.9...1,1 atm Explosion-safe areas Normal ambient oxygen level Avoid strong mechanical shock, vibrations or EMI; Avoid exposure to corrosive gases or silicone containing products.

Relay option (ordering code R)

Output relays	2 × SPST relays (closing contact), 250 VAC / 30 VDC, 5 A max
Alarm setpoints	Minimum 250 ppm

Ask for other versions or custom designed products

Approvals

Enclosure:

ATEX / IECEx
 FTZU 03 ATEX 0207U
 IECEx FTZU 12.0017U

II 2 G Ex db IIC Gb
 II 2 D Ex tb IIIC Db

Glands:

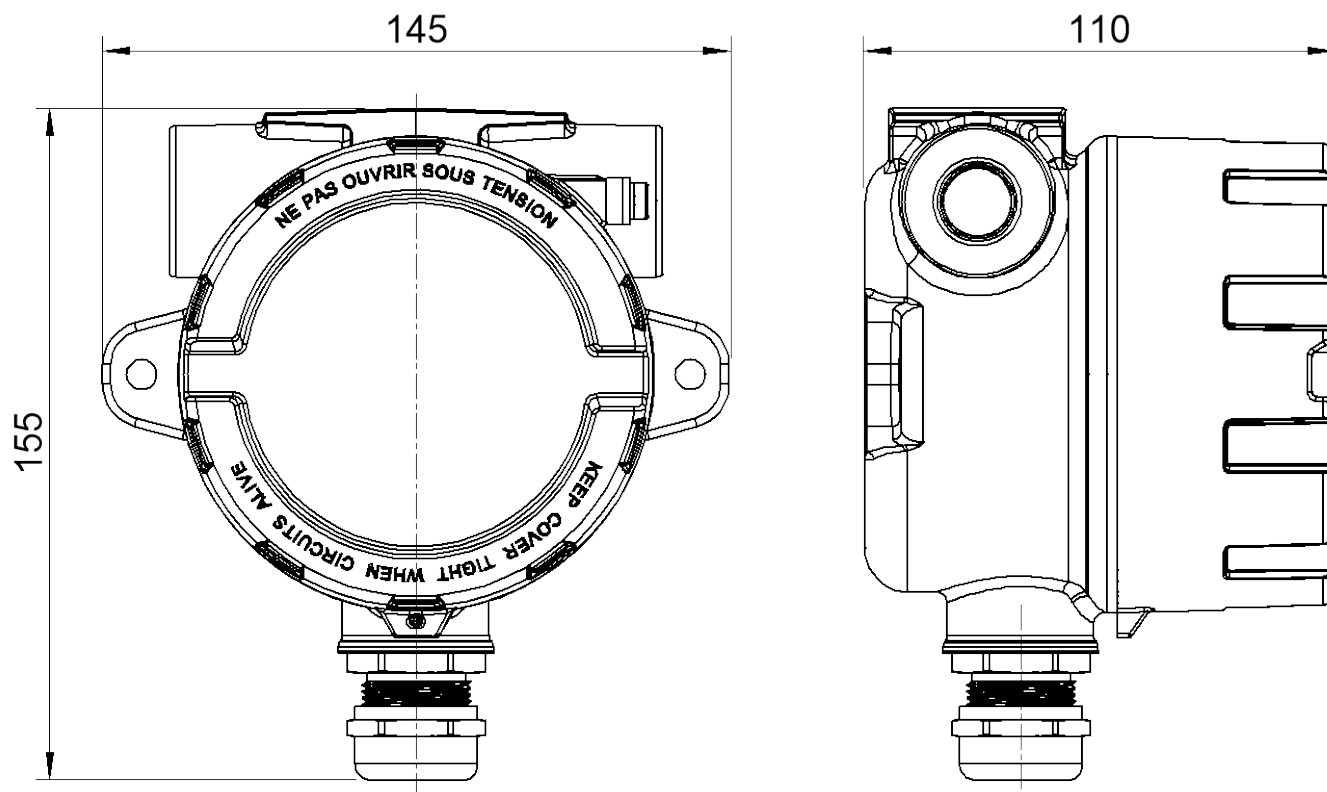
ATEX / IECEx
 EESF 19 ATEX 023X
 II 2G Ex db IIC Gb
 II 2D Ex tb IIIC Db IP66

CE conformity

Flameproof to IEC EN 60079-0, EN 60079-1,
 EN 60079-31
 EMC Emissions to EN 61000-6-3, EN 61326-1
 EMC Immunity to EN 61000-6-1, EN 61000-6-2



Dimensions



Mounting holes

