



# Flameproof Ethylene Detector-Transmitter E2670-C2H4



## Features

- Aluminium pressure die-casting enclosure
- Suitable for ATEX Zones 2 and 22
- Two analog outputs settable to 4-20 mA or 0-10 V
- RS485 Modbus RTU digital interface
- Relay option

## Specifications

Calibration	Ethylene C <sub>2</sub> H <sub>4</sub>		
Sensor type	Electrochemical		
Sampling method	Diffusion		
Typical detection range	0...10 ppm	0...200 ppm	0...1500 ppm
Maximum overload	20 ppm	500 ppm	2000 ppm
Resolution / digital unit	0.1 ppm	1 ppm	1 ppm
Response time T90	< 60 s	< 60 s	< 60 s
Sensor lifetime	> 2 years		
Maintenance interval	6 months		
Signal update	Every 1 second		
Self-diagnostics	Full functionality check at start-up		
Warm-up time	≤ 1 min		
Power supply	12...36 VDC (default), 24 VAC or 230 VAC as options		
Power consumption	< 2 VA		
Digital interface	RS485, Modbus RTU protocol		
Analog outputs	2 × 4-20 mA / 0-10 V, user settable		
Output scale width	Recommended: 20-100% of the range; > 10 × resolution in any case		
Enclosure	Grey die-cast aluminium, wall-mount, protection class IP65		
Dimensions	H155 × W145 × D110 mm		
Operating environment	Industrial indoor and outdoor locations		
Operating conditions	-40...+50°C, up to 100 %RH; 0,9...1,1 atm; Explosion-safe areas; Non-aggressive atmosphere		

### Relay option (ordering code R)

Output relays	2 × SPST relays (closing contact), 250 VAC / 30 VDC, 5 A max
Default alarm setpoints	Determined by user within 5-95% of the range

## Approvals

### Enclosure:

ATEX / IECEx  
FTZU 03 ATEX 0207U  
IECEx FTZU 12.0017U  
 II 2 G Ex db IIC Gb  
 II 2 D Ex tb IIIC Db

### Glands:

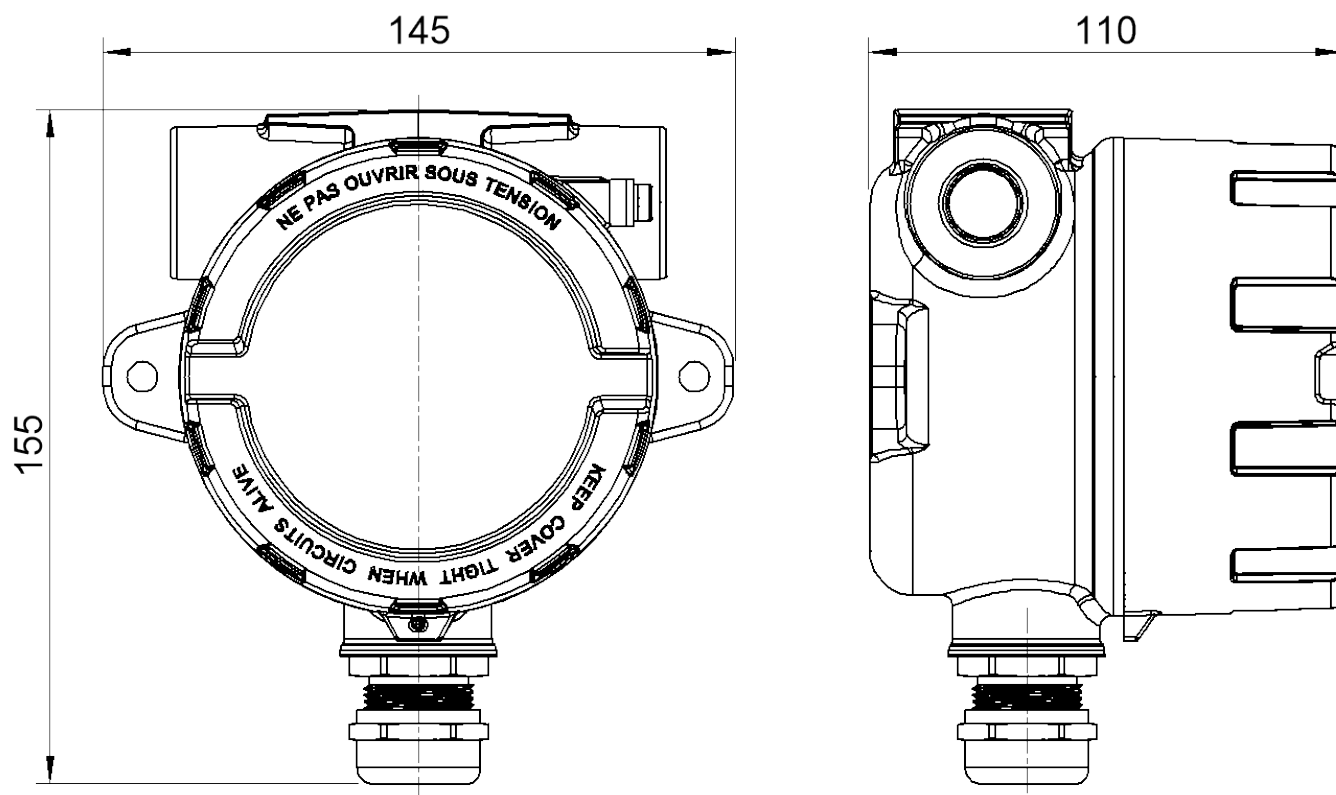
ATEX / IECEx  
EESF 19 ATEX 023X  
 II 2G Ex db IIC Gb  
 II 2D Ex tb IIIC Db IP66

### CE conformity

Flameproof to IEC EN 60079-0, EN 60079-1,  
EN 60079-31  
EMC Emissions to EN 61000-6-3, EN 61326-1  
EMC Immunity to EN 61000-6-1, EN 61000-6-2



### Dimensions



### Mounting holes

