



Solvent Vapours Detector-Transmitter E2638-PID



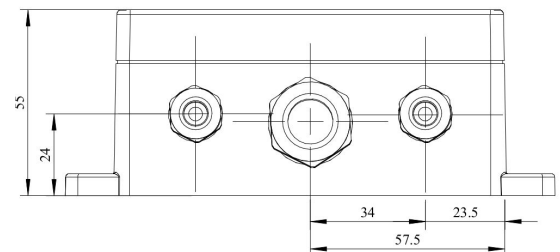
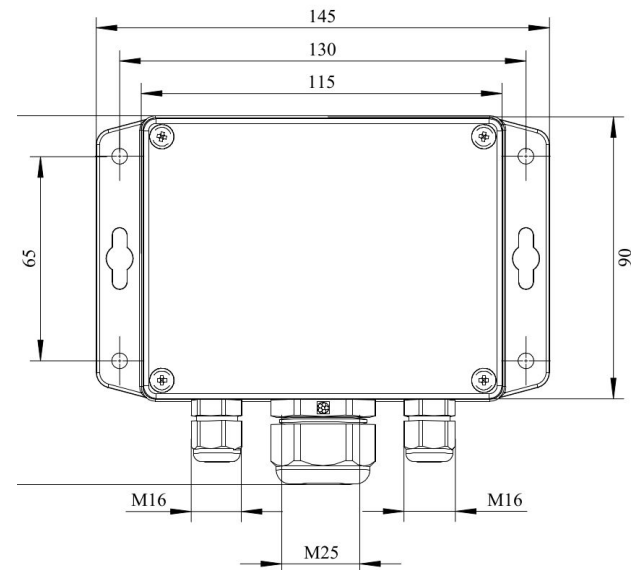
Features

- Highly sensitive Photo Ionization Detector
- Accurate and stable measurement
- Easy to install robust enclosure
- Two analog outputs settable to 4-20 mA or 0-10 V
- RS485 Modbus RTU digital interface
- Relay option
- Attached or remote sensor
- LCD indicator option

Specifications

Detected gases	VOCs with ionisation potential < 10.6 eV	
Default calibration	Isobutylene	
Sensor type	Photo ionization detector (PID)	
Sampling method	Diffusion	
Typical detection range	E2638-PID-40	E2638-PID-200
	0...40 ppm (isobutylene)	0...200 ppm (isobutylene)
Resolution	0,01 ppm	1 ppm
Response time T90	< 3 s	
Signal update	Every 1 second	
Sensor lifetime	> 5 years	
Maintenance interval	Monthly or more frequently depending on operating conditions	
Self-diagnostics	Full functionality check at start-up	
Warm-up time	≤ 1 min	
Power supply	12...36 VDC (default)	
	24 VAC or 230 VAC as options	
Power consumption	< 2 VA	
Digital interface	RS485, Modbus RTU protocol	
Analog outputs	2 × 4-20 mA / 0-10 V, user settable	
Output scale width	Recommended: 20-100% of the range; > 10 × resolution in any case	
Enclosure	Grey ABS plastic, wall mount, protection class IP65	
Dimensions	H90 × W145 × D50 mm (housing only)	
	H140 with cable glands	
Operating environment	Industrial indoor and outdoor locations	
Operating conditions	-40...+65 °C, 0.9...1,1 atm	
	0...95% RH non condensing	
	Explosion-safe areas	
	Non-aggressive atmosphere	

Dimensions



Additional options

Remote sensor probe	Protection IP65, shielded cable default cable length 3.0 m
Self-test button	Triggers both relays simultaneously; push-button switch

Relay outputs

Output relays	2 × SPST relays (closing contact), 250 VAC / 30 VDC, 5 A max
Default alarm set-points	Determined by user within 5-95% of the range

Alarm signalling

Visual	Red and green LEDs
Acoustic	Buzzer 85 dB

LCD indicator

Operating temperature	0...+50 °C
Display dimensions	72 × 36 mm
Number of digits	3.5 7-segment
Character height	14 mm
Other features	Backlight
Protection class	IP50 (both for built-in and remote LCD options)

NOTE! Only second analog output (OUT2) is available for a version with LCD.
NOTE! LCD and LEDs can not be chosen simultaneously.

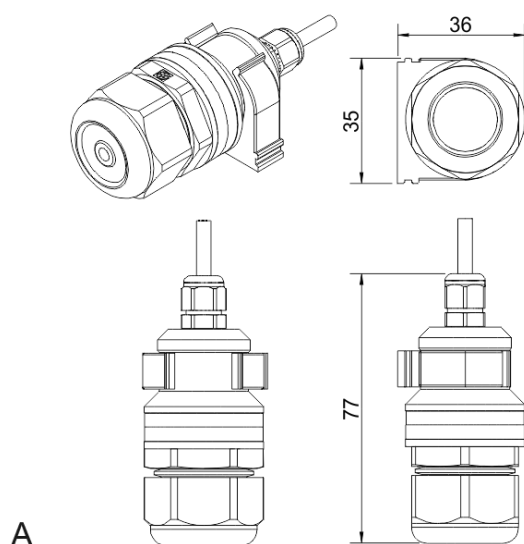
Version with built-in LCD indicator



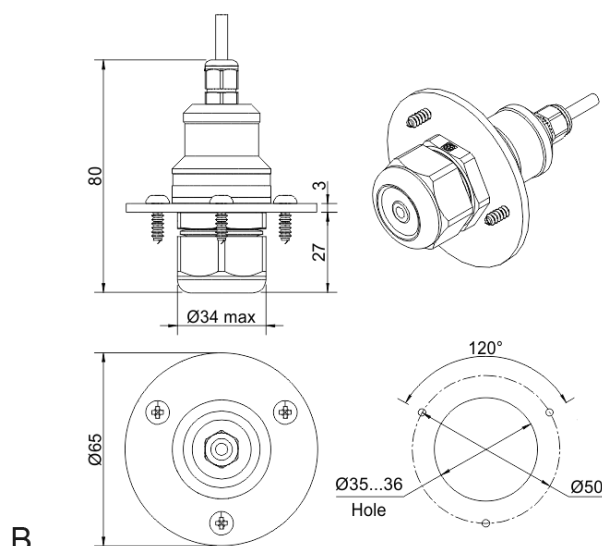
Version with remote LCD indicator



Remote probe



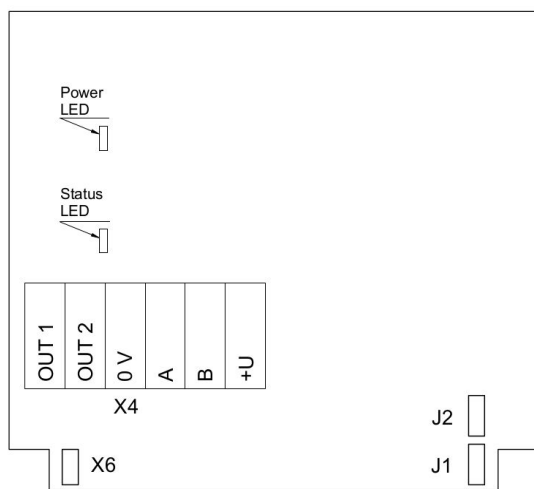
A Wall mount remote probe with fixing clamp (default version)



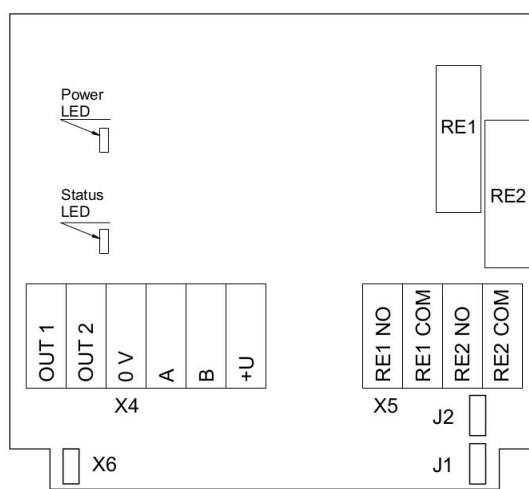
B Remote probe with rubber flange and three self-tapping screws (on request)



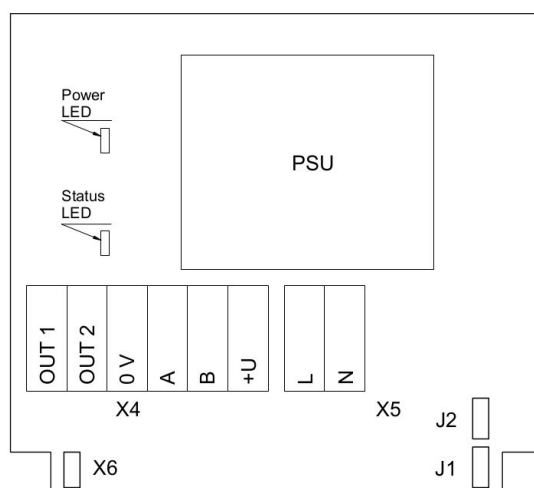
Connection diagrams



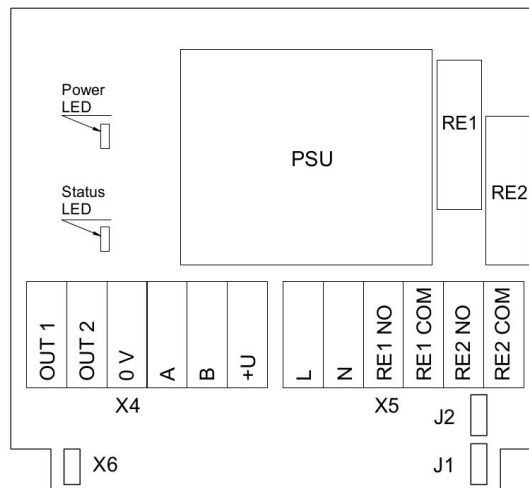
Version without PSU and relays



Version without PSU and with relays



Version with PSU and without relays



Version with PSU and relays

Jumpers

J1	OUT1 type (open: 4-20 mA; closed 0-10 V)
J2	OUT2 type (open: 4-20 mA; closed 0-10 V)
X6	Reset Modbus network parameters to default
X4 terminals	
OUT1	4-20 mA / 0-10 V output
OUT2	4-20 mA / 0-10 V output
0V	0 V / 24 VAC Neutral (optional)
A	RS485 A / Data +
B	RS485 B / Data -
+U	+24 VDC / 24 VAC Phase (optional)
X5 terminals (optional)	
L	90...265 VAC Phase
N	90...265 VAC Neutral
RE1 NO	Relay 1, normally open terminal
RE1 COM	Relay 1, common terminal
RE2 NO	Relay 2, normally open terminal
RE2 COM	Relay 2, common terminal

