

IP65
**4-20 mA
0-10 V**
**RS485
Modbus**


Ozone Transmitter

E2618-O3



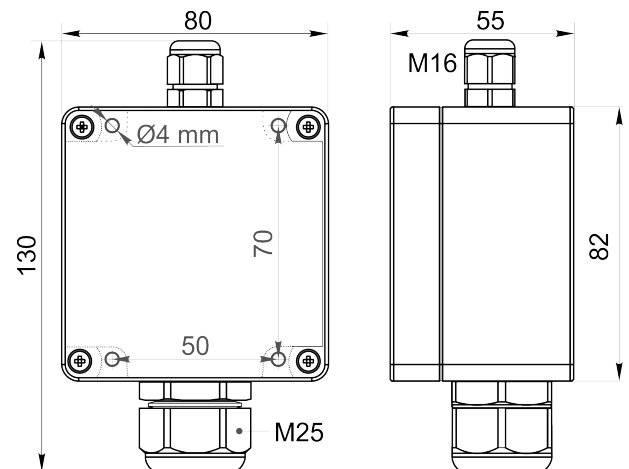
Features

- Wall-mount or duct-mount version
- Industrial IP65 housing
- Two analog outputs settable to 4-20 mA or 0-10 V
- RS485 Modbus RTU digital interface
- Attached or remote sensor

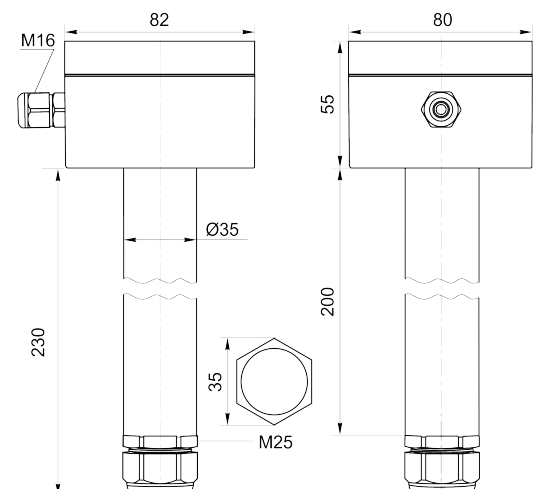
Specifications

| | | |
|-----------------------|---|--------------|
| Calibration | Ozone O ₃ | |
| Sensor type | Electrochemical | |
| Sampling method | Diffusion | |
| Detection ranges | 0...5 ppm | 0...1 ppm |
| Maximum overload | 50 ppm | 5 ppm |
| Resolution | 0.01 ppm | 0.01 ppm |
| Response time | < 60 s (T80) | ≤ 90 s (T90) |
| Sensor lifetime | > 2 years | > 18 months |
| Maintenance interval | 6 months | 12 months |
| Operating temperature | -40...+50 °C | -20...+40 °C |
| Signal update | Every 1 second | |
| Self-diagnostics | Full functionality check at start-up | |
| Warm-up time | ≤ 1 min | |
| Power supply | 12...36 VDC (default) | |
| | 24 VAC as option | |
| Power consumption | < 2 VA | |
| Digital interface | RS485, Modbus RTU protocol | |
| Analog outputs | 2 × 4-20 mA / 0-10 V, user settable | |
| Output scale width | Recommended: 20-100% of the range; > 10 × resolution in any case | |
| Enclosure | Grey ABS plastic, wall mount, protection class IP65 | |
| Dimensions | H82 × W80 × D55 mm | |
| Remote sensor probe | Protection IP65, shielded cable default cable length 3.0 m | |
| Operating environment | Industrial indoor and outdoor locations | |
| Operating conditions | (operating temperature is specified above) 15...90% RH non-condensing; 0,9...1,1 atm; Explosion-safe areas Non-aggressive atmosphere | |
| | NOTE! We offer technical solutions for extreme humidity, please ask for more information. | |

Wall mount version



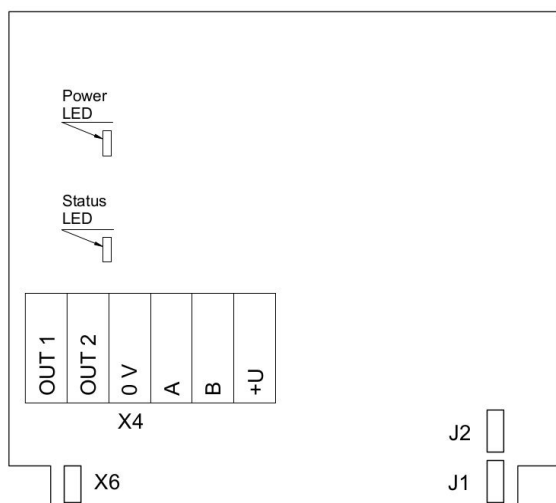
Duct mount version



Ask for other versions or custom designed products



Connection diagram



PCB without PSU and relays

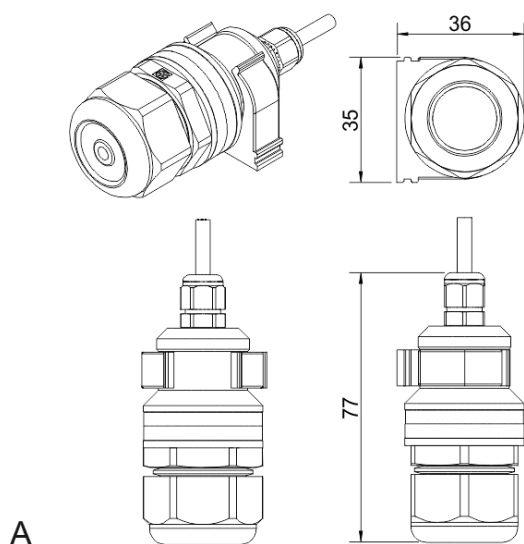
Jumpers

- J1** OUT1 type (open: 4-20 mA; closed 0-10 V)
- J2** OUT2 type (open: 4-20 mA; closed 0-10 V)
- X6** Reset Modbus network parameters to default

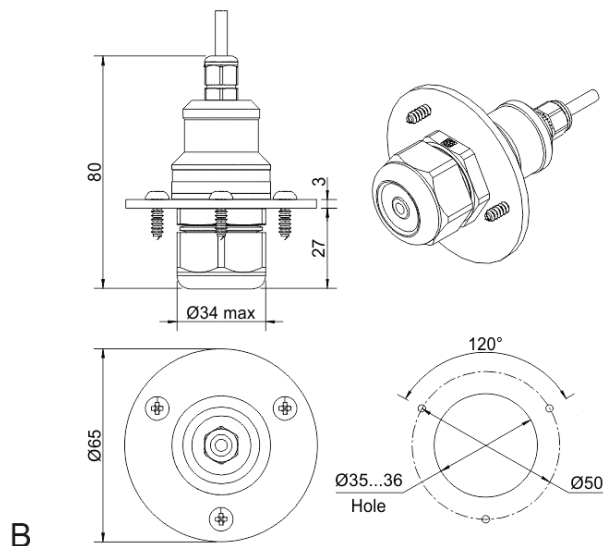
X4 terminals

- OUT1** 4-20 mA / 0-10 V output
- OUT2** 4-20 mA / 0-10 V output
- 0V** 0 V / 24 VAC Neutral (optional)
- A** RS485 A / Data +
- B** RS485 B / Data -
- +U** +24 VDC / 24 VAC Phase (optional)

Remote probe



Wall mount remote probe with fixing clamp (default version)



Remote probe with rubber flange and three self-tapping screws (on request)

