



Nitrogen Dioxide Transmitter E2615-NO2



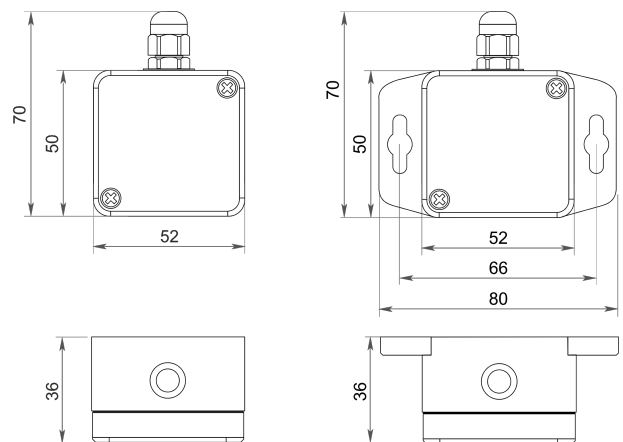
Features

- Maintenance free sensor
- User selectable output 4-20 mA / 0-10 V
- Range of compact wall mount enclosures
- Low cost for volume HVAC applications

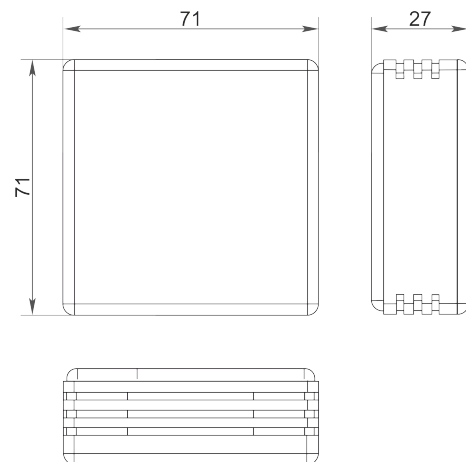
Specifications

| | |
|------------------------|--|
| Sensor type | Electrochemical |
| Sampling method | Diffusion |
| Detection range | 0-30 ppm |
| Response time | ≤ 25 s |
| Sensor protection | Microporous PTFE dust filter |
| Warm-up time | ≤ 1 min |
| Analog output | 4-20 mA / 0-10 V, user settable |
| Power supply | 24 VDC ± 20% |
| Power consumption | < 1 W |
| Sensor lifetime | ≥ 5 years |
| Sensitivity drift | < ± 20% in 5 years |
| Indoors enclosure | White, ivory or black ABS plastic, wall mount, protection class IP20 |
| Weatherproof enclosure | Light or dark grey ABS plastic, wall mount, protection class IP65 |
| Operating conditions | -20...+50 °C 15...90 %RH non-condensing, pressure 0,9...1,1 atm |
| EMC Emissions | To EN 61000-6-3, EN 61326-1 |
| EMC Immunity | To EN 61000-6-1, EN 61000-6-2 |

IP65 Enclosures

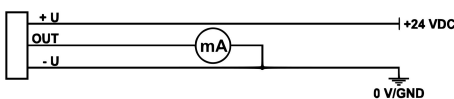


IP20 Enclosures



Connection diagrams

3-wire 4-20 mA output



3-wire 0-10 V output

