



Sulfur Dioxide Detector-Transmitter E2608-SO2



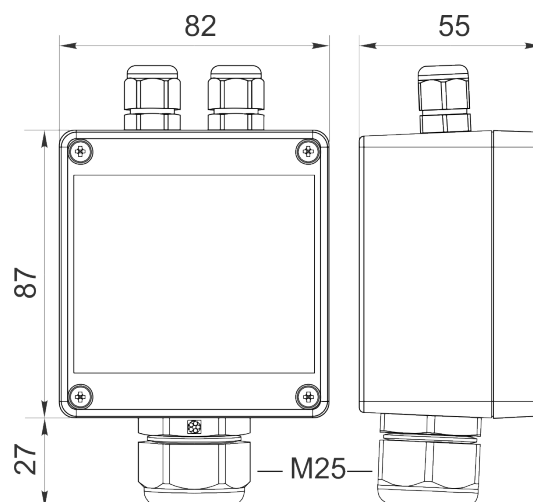
Features

- Wall-mount or duct-mount version
- Industrial IP65 housing
- Two analog outputs settable to 4-20 mA or 0-10 V
- RS485 Modbus RTU digital interface
- Two relays for alarm / ventilation control
- Attached or remote sensor

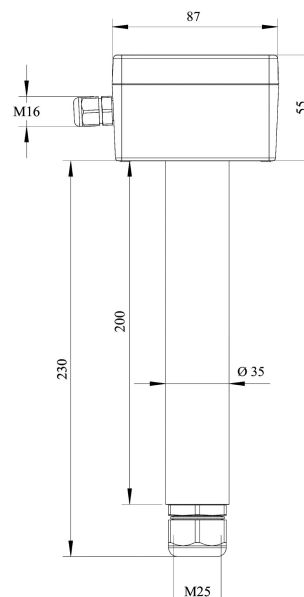
Specifications

| | | |
|-------------------------|--|------------|
| Calibration | Sulfur dioxide SO ₂ | |
| Sensor type | Electrochemical | |
| Sampling method | Diffusion | |
| Detection ranges | 0...50 | 0-2000 ppm |
| Maximum overload | 75 ppm | 10 000 ppm |
| Resolution/digital unit | 0.1 ppm | 1 ppm |
| Response time T90 | < 35 s | < 33 s |
| Signal update | Every 1 second | |
| Sensor lifetime | > 2 years | |
| Maintenance interval | 6 months | |
| Self-diagnostics | Full functionality check at start-up | |
| Warm-up time | ≤ 1 min | |
| Power supply | 12...36 VDC (default), 24 VAC or 230 VAC as options | |
| Power consumption | < 2 VA | |
| Digital interface | RS485, Modbus RTU protocol | |
| Analog outputs | 2 × 4-20 mA / 0-10 V, user settable | |
| Output scale width | Recommended: 20-100% of the range; > 10 × resolution in any case | |
| Output relays | 2 × SPST relays (closing contact), 250 VAC / 30 VDC, 5 A max | |
| Default alarm setpoints | RE1 (LOW): set 2 ppm; release 1.6 ppm RE2 (HIGH): set 5 ppm; release 4 ppm | |
| Enclosure | Grey ABS plastic, wall mount, protection class IP65 | |
| Dimensions | H87 × W82 × D55 mm | |
| Remote sensor probe | Protection IP65, shielded cable default cable length 3.0 m | |
| Operating environment | Industrial indoor and outdoor locations | |
| Operating conditions | -30...+50 °C; 15...90% RH non-condensing; 0,9...1,1 atm; Explosion-safe areas Non-aggressive atmosphere | |
| | NOTE! We offer technical solutions for extreme humidity, please ask for more information. | |

Wall mount version



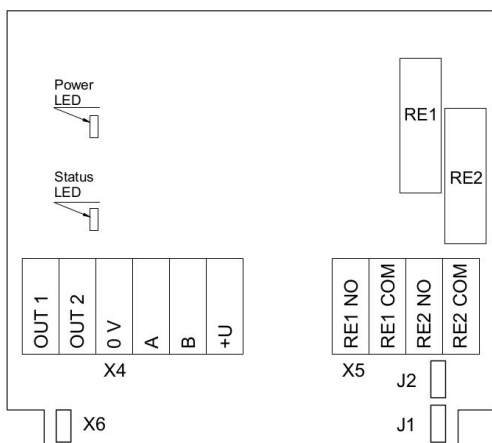
Duct mount version



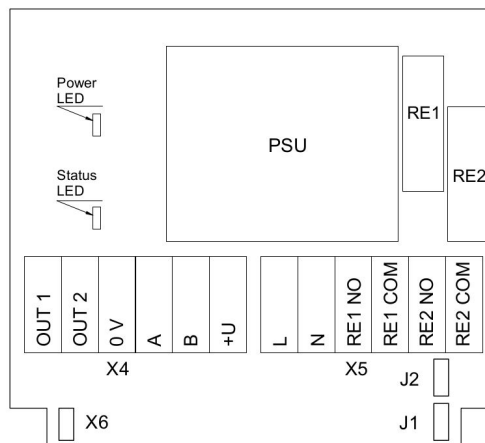
Ask for other versions or custom designed products



Connection diagrams



Version without PSU



Version with PSU

Jumpers

J1

OUT1 type (open: 4-20 mA; closed 0-10 V)

J2

OUT2 type (open: 4-20 mA; closed 0-10 V)

X6

Reset Modbus network parameters to default

X4 terminals

OUT1

4-20 mA / 0-10 V output

OUT2

4-20 mA / 0-10 V output

0V

0 V / 24 VAC Neutral (optional)

A

RS485 A / Data +

B

RS485 B / Data -

+U

+24 VDC / 24 VAC Phase (optional)

X5 terminals (optional)

L

90...265 VAC Phase

N

90...265 VAC Neutral

RE1 NO

Relay 1, normally open terminal

RE1 COM

Relay 1, common terminal

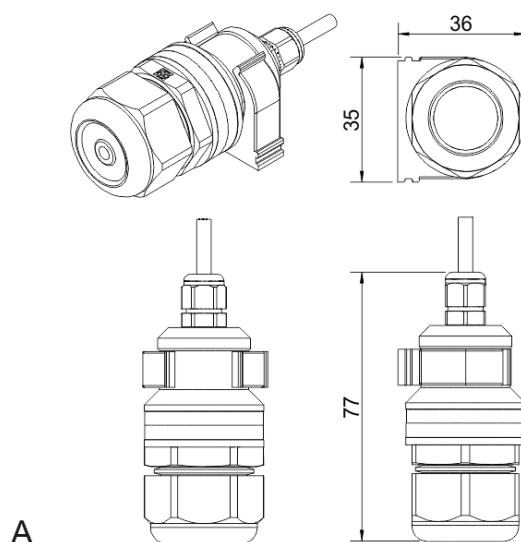
RE2 NO

Relay 2, normally open terminal

RE2 COM

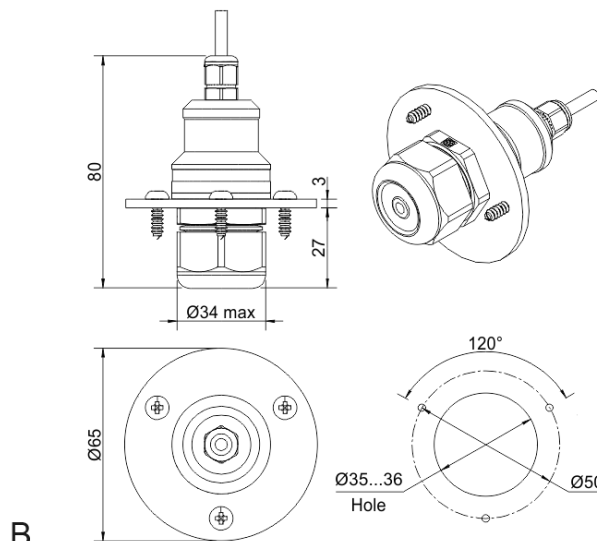
Relay 2, common terminal

Remote probe



A

Wall mount remote probe with fixing clamp (default version)



B

Remote probe with rubber flange and three self-tapping screws (on request)

