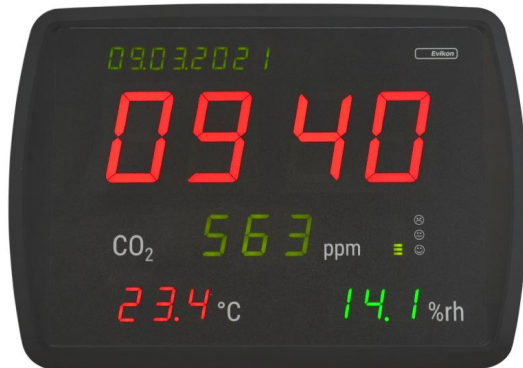




Air Quality Wireless Data Logger Panel E2230



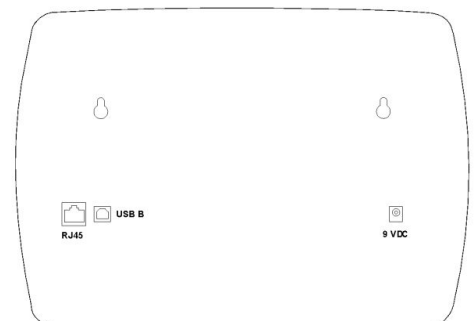
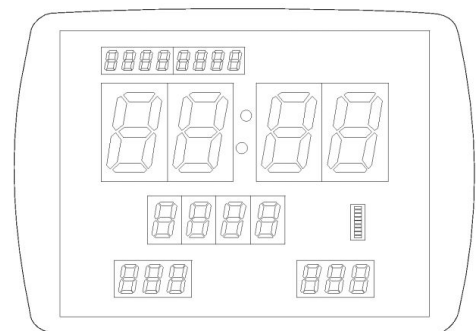
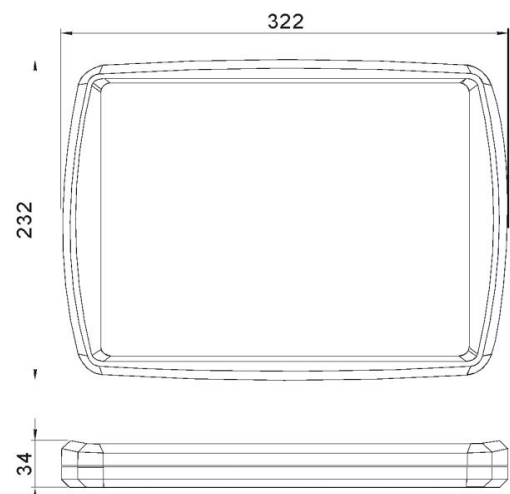
Features

- Ambient temperature, relative humidity and CO₂
- Real time clock and calendar
- Large bright LED display
- Datalogging and wireless connectivity functions
- Elegant slim wall-mount panel design

Specifications

| | |
|-----------------------|--|
| Measured parameters | Temperature, Humidity, CO2 level |
| Additional features | Clock, Calendar |
| Datalogging | 10 s ... 1 h measurement interval, 16000 datasets memory, Wireless data transmission and time synchronization |
| Sensors | Digital RH and T sensors, |
| Measurement range | 0...95 %RH, 0...+50 °C, 400...5 000 ppm CO ₂ |
| Resolution | 0,1% RH / 0,1 °C / 1 ppm CO ₂ |
| Accuracy | ±2,5% RH / ±0,3 °C / ±50 ppm CO ₂ |
| Response time | ~15 seconds |
| Power supply | 9VDC, 90...265 VAC adapter |
| Power consumption | < 6 W |
| Digital interfaces | USB, RS485 |
| Wireless interface | IEEE 802.15.4 Zigbee 2,4 GHz |
| Enclosure | Black ABS, wall mount, |
| protection class | IP40 |
| Dimensions | H232 × W322 × D34 mm |
| Display | 7-segment LED |
| Symbol height | Time - 58 mm Date - 14 mm CO ₂ - 25 mm T, RH - 20 mm |
| Operating environment | Dry indoor spaces |
| Operating conditions | 0...+50 °C, 0...95 %RH non-condensing |

Dimensions



Ask for other versions or custom designed products