



# **Air temperature and humidity logger**

**E2208L**

**User Manual**



# Table of contents

Specifications	3
Product description	4
Safety requirements	4
Operating conditions	4
Installation guidelines	4
Operating and data processing	5
Delivery set	5
Warranty	6
Manufacturer contacts	6

## Specifications

Sensor type	Digital combined RH and T sensor
Measurement range	0...100 % RH -10...+50 °C
Resolution	0,1 %RH 0,1 °C
Accuracy	±2,5 %RH ±0.3 °C
Self-diagnostics	Full functionality check at start-up
Warm-up time	≤ 1 s
Response time	~15 seconds
Power supply	Rechargeable 18650 lithium-ion battery
Power consumption	< 1,5 W (during logging)
Number of records	52 420
Logging interval	Adjustable from 20 s to 12 hours
PC interface	Mini USB
Enclosure	White ABS, protection class IP20
Dimensions	H71 × W71 × D27 mm
Weight	~100 g
Operating environment	Commercial, residential and public indoor spaces
Operating conditions	-10...+50 °C 0...95% RH without condensation Atmospheric pressure in the range of 84...106,7 kPa
CE marking	According to 2014/30/EU: EN 61000-6-3:2020, EN 61326-1:2013(EMC, emissions) EN 61000-6-1:2019, EN 61000-6-2:2019(EMC, Immunity)

## Product description

Air humidity and temperature logger E2208L is an easy to use device intended for operating in commercial, residential and public indoor spaces. The device provides autonomous logging of air temperature and relative humidity in a nonaggressive atmosphere.

## Safety requirements

Always adhere to the safety provisions applicable in the country of use.

Do not perform any maintenance operation with the power on. Do not let water or foreign objects inside the device.

## Operating conditions

The device should be used in explosion-safe (non ATEX-rated) indoor areas without aggressive gases, dust or mists in the atmosphere.

Allowable conditions are:

- Temperature in the range of -10...+50 °C;
- Relative humidity in the range of 0...95%, without condensation;
- Atmospheric pressure in the range of 84...106,7 kPa.

## Installation guidelines

Put the E2208L device onto a horizontal surface and configure it via PC (see Operating and data processing section). No specific installation procedure is required. However, it is important to position the device properly, so it gathers reliable data.

Avoid placing the device in the strong air currents or close to ventilation openings, as well as in the areas without air circulation (niches, corners etc.). Do not place the logger in direct contact with exhaled air, since it may compromise the measurement results.

## Operating and data processing

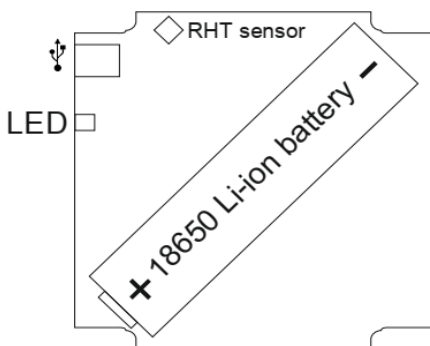
1. Install E2208L Configuration software on your PC. It is available for download from the product page on our website (E2208L\_CFG.zip).
2. Connect the logger to the PC with a USB cable (included) and launch the Configuration software.
3. To set up the device, select Discover instrument in the starting menu, then adjust time, logging interval, logging start and stop time.

Current measurement results are available immediately in the Online measurement field.

4. To export gathered data, press Export Records. The data will be exported in .csv format.
5. The software allows you to open log files saved to the PC. Select Open log file on the starting page or Graph on Discover instrument page .

### Battery

E2208L logger is equipped with a rechargeable 18650 lithium-ion battery. To recharge the battery, use the charger supplied with the device. Remove the front panel of the device, pull out the battery and allow it to charge according to the user's guide supplied with the charger.



### Delivery set

- Temperature and humidity logger E2208L
- USB to mini USB cable adapter, length 0,8 m
- Battery charger

## Warranty

This product is warranted to be free from defects in material and workmanship for a period of one year from the date of the original sale. During this warranty period, the Manufacturer will, at its option, either repair or replace a product that proves to be defective. This warranty is void if the product has been operated in conditions outside ranges specified by the Manufacturer or damaged by customer error or negligence or if there has been an unauthorized modification.

## Manufacturer contacts

Evikon MCI OÜ

Teaduspargi 7/9, Tartu

50411 Estonia

info@evikon.eu

www.evikon.eu

